

**MINUTES OF PRE BID MEETING**

**Supply, Delivery and Installation of Office Furniture for Staff Learning  
Center of Uva Wellassa University**

**Tender No** : UWU/G/NCB/C/21/01

**Date & Time**: 04<sup>th</sup> March 2021 and 10.00 a.m.

**Venue** : Finance Board Room

The Following decisions were made at the Pre Bid Meeting

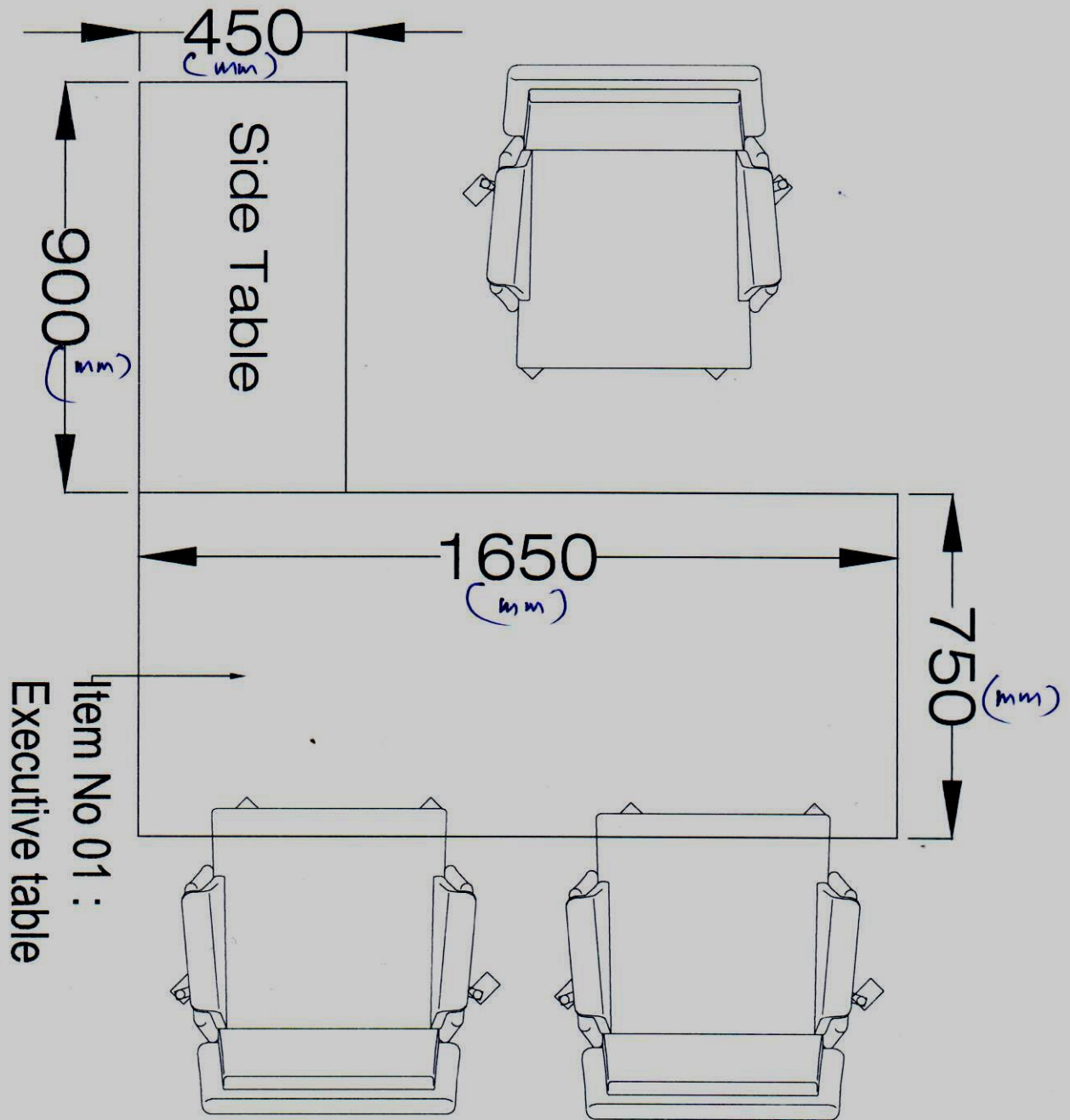
Item No 01 – Executive Tables

The size of executive table is changed from 1400mm x 750mm into 1650mm x 750mm  
further table top thickness is approximately 25mm is specified

Refer the attached drawing (annexure 01)



Chairman  
Department Procurement Committee (Major)  
Uva Wellassa University



Please add this as addendum for executive table (Item #01)

#n A  
WE/04.03.24