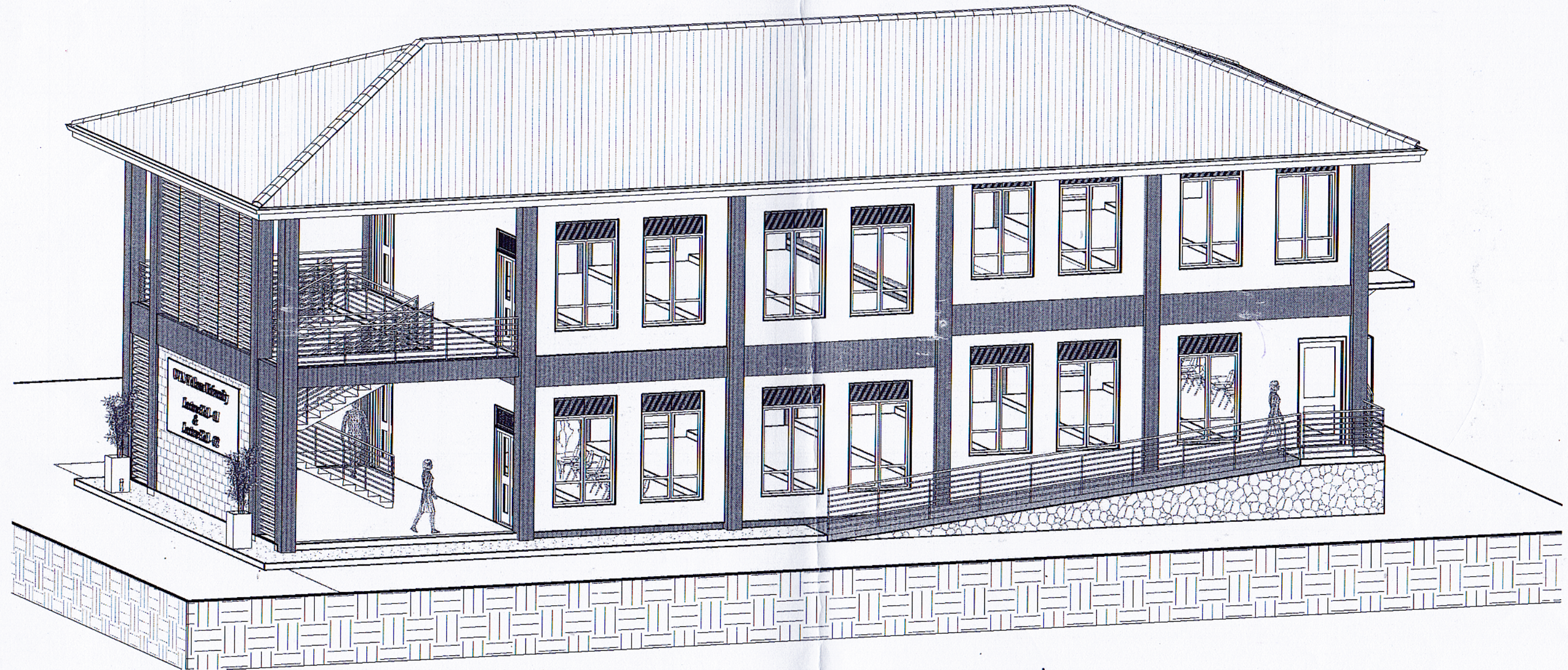


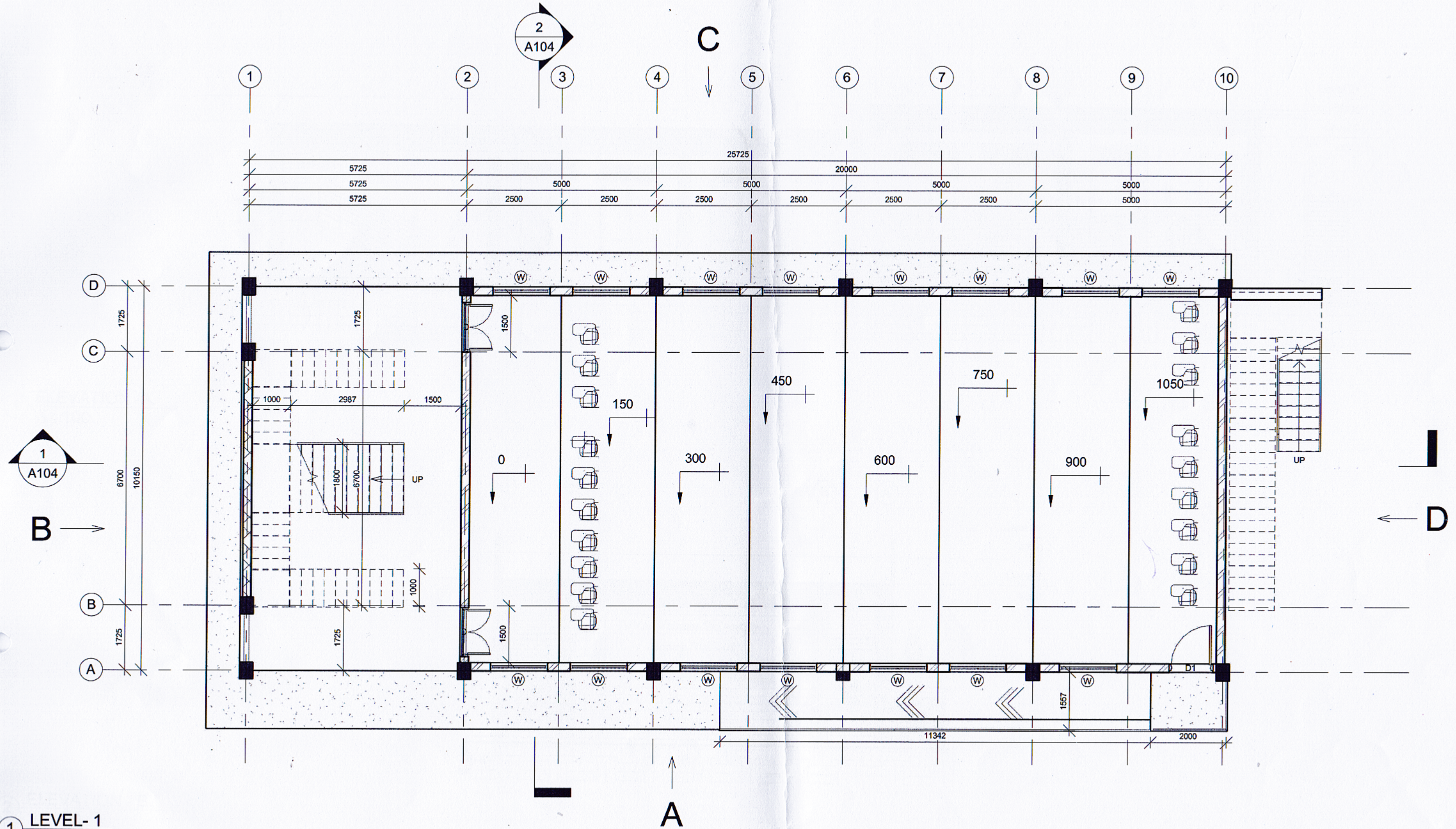
S

# PROPOSED LECTURE HALL FOR UVA WELLISSA UNIVERSITY STAGE - I



21mm  
10/09/21





1 LEVEL-1  
1 : 100

**PROPOSED LECTURE HALL FOR UVA WELLISSA UNIVERSITY  
STAGE - I**

**FLOOR PLAN**

Notes:

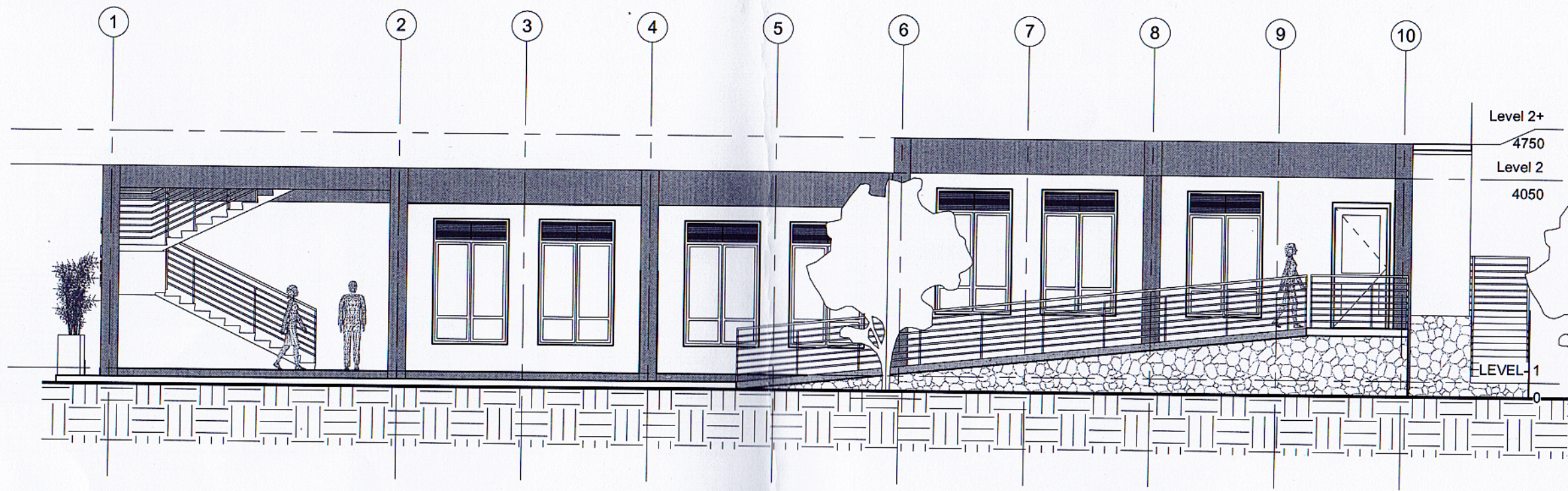
Rev No..	Date	Description

Drawn By: **Randika .R. A.**  
 Recommended By: *[Signature]*  
 Approved By: *[Signature]*

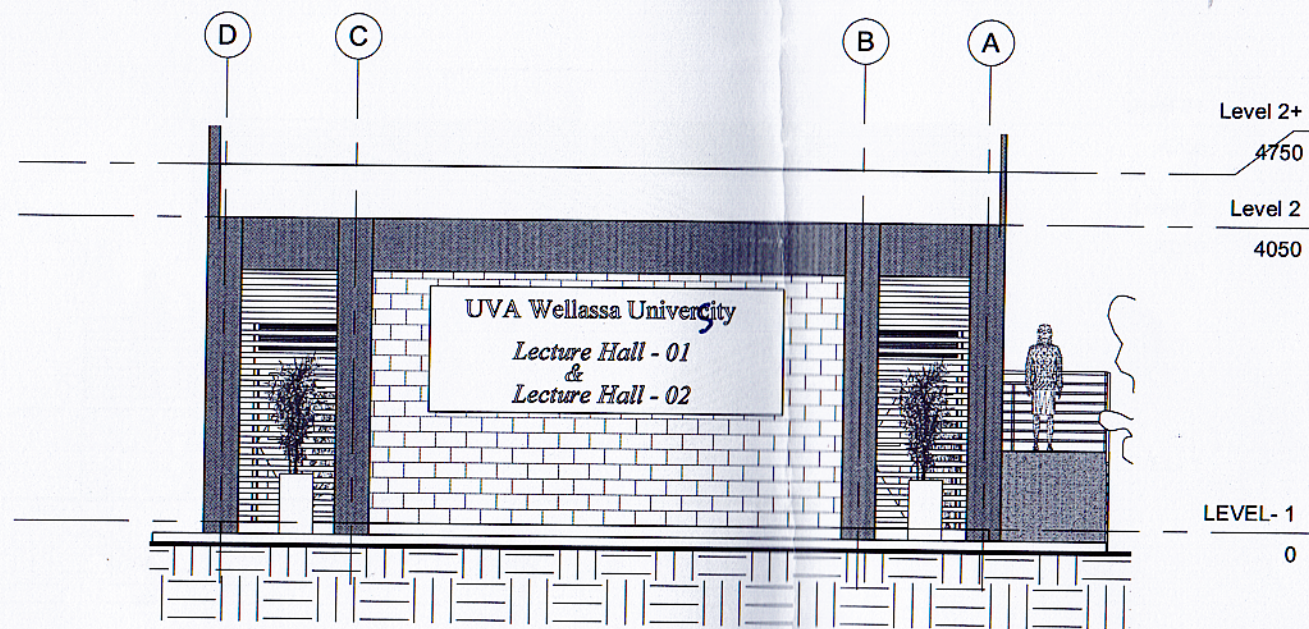
Revision No.

Date	22/01/2021
Scale	1 : 100
Drg. No.	A101





1 ELEVATION - A.  
1 : 100



2 ELEVATION - B.  
1 : 100

**PROPOSED LECTURE HALL FOR UVA WELLASSA UNIVERSITY  
STAGE - I**

**ELEVATIONS A & B**

Notes:

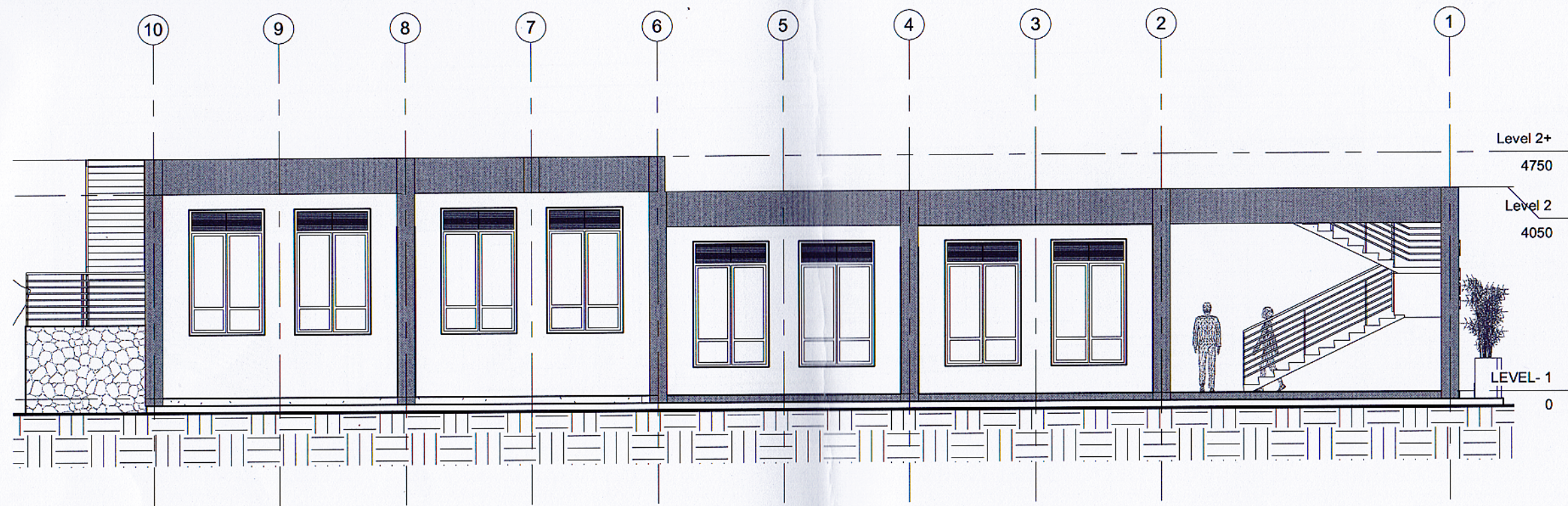
Rev No..	Date	Description

Drawn By:	Randika .R. A.
Recommended By:	<i>[Signature]</i>
Approved By:	<i>[Signature]</i>

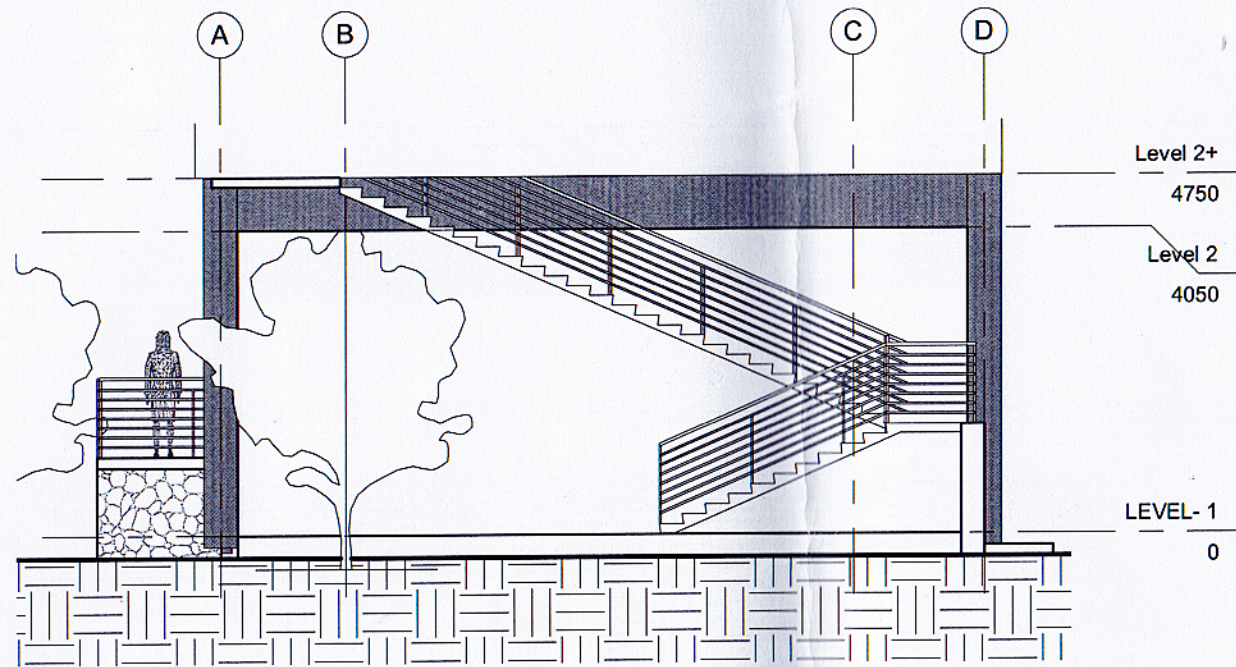
Date	22/01/2021
Scale	1 : 100
Drg. No.	A102

Revision No.





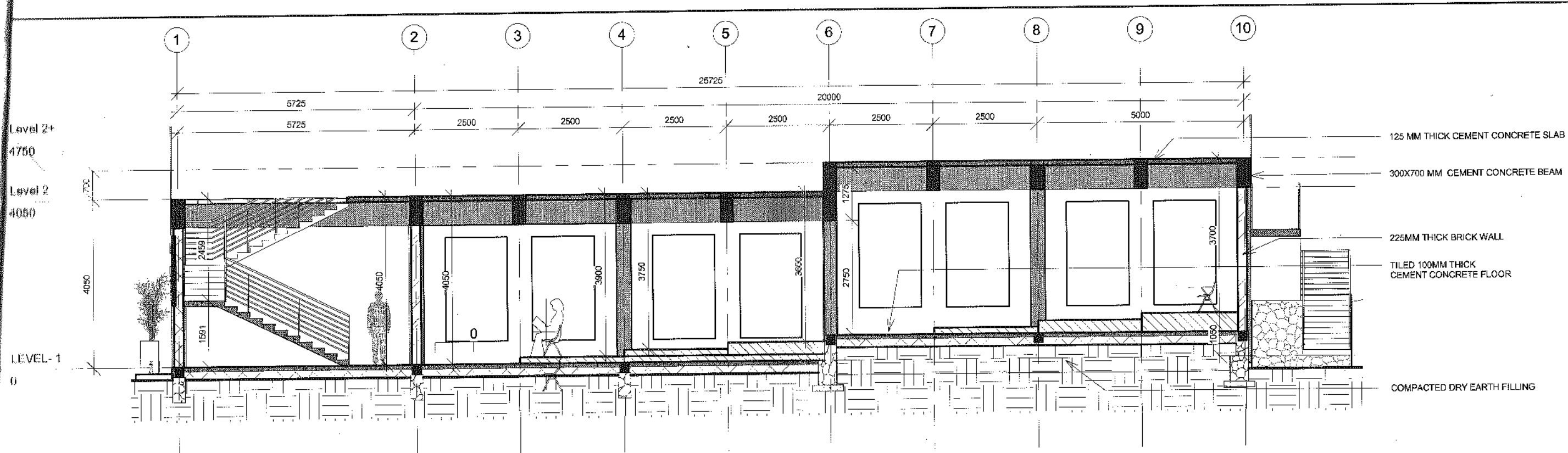
① ELEVATION - C  
1 : 100



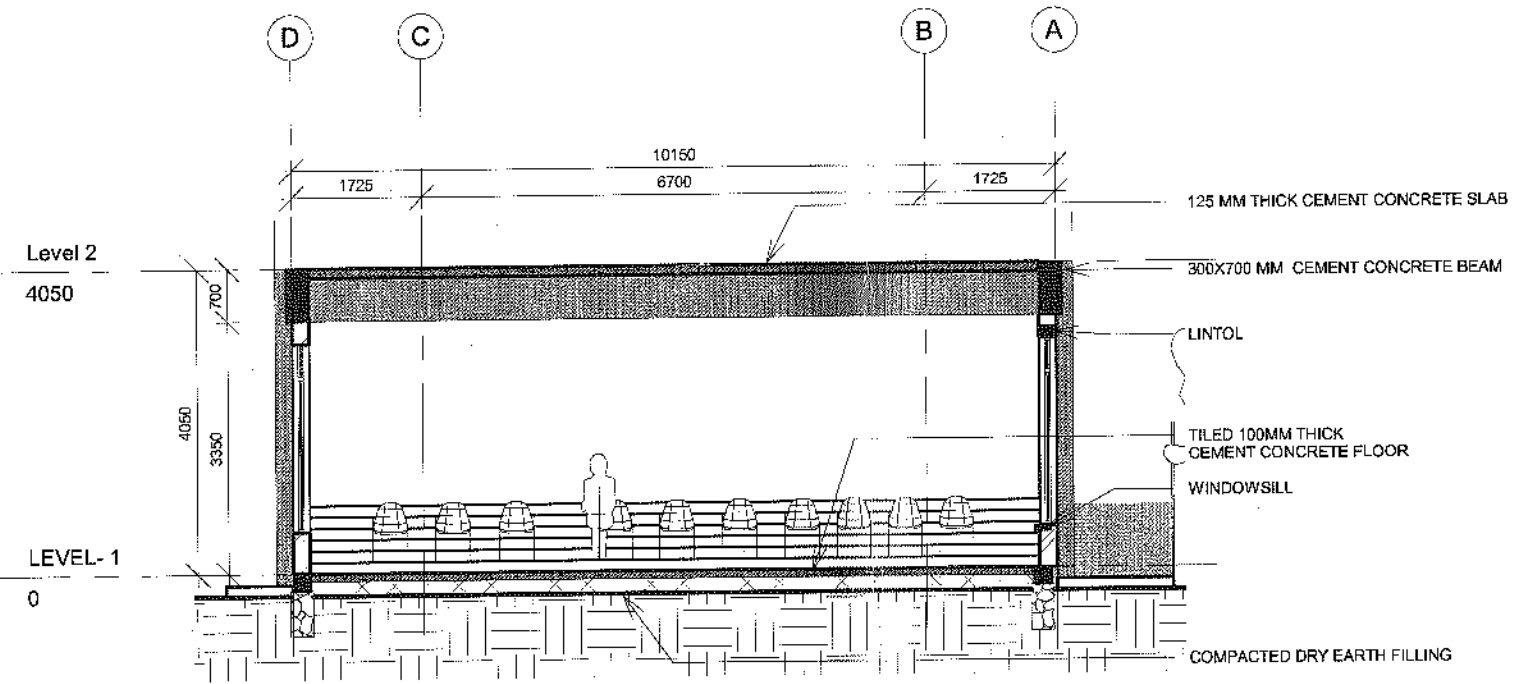
② ELEVATION - D  
1 : 100

<b>PROPOSED LECTURE HALL FOR UVA WELASSA UNIVERSITY STAGE - I</b>	ELEVATION - C & D	Rev No.	Date	Description	Drawn By: Randika .R. A.		
	Notes:				Recomended By:	Date	22/01/2021
					Approved By:	Scale	1 : 100
						Drg. No.	A103
		Revision No.					





**SECTION - 1**  
1 : 100

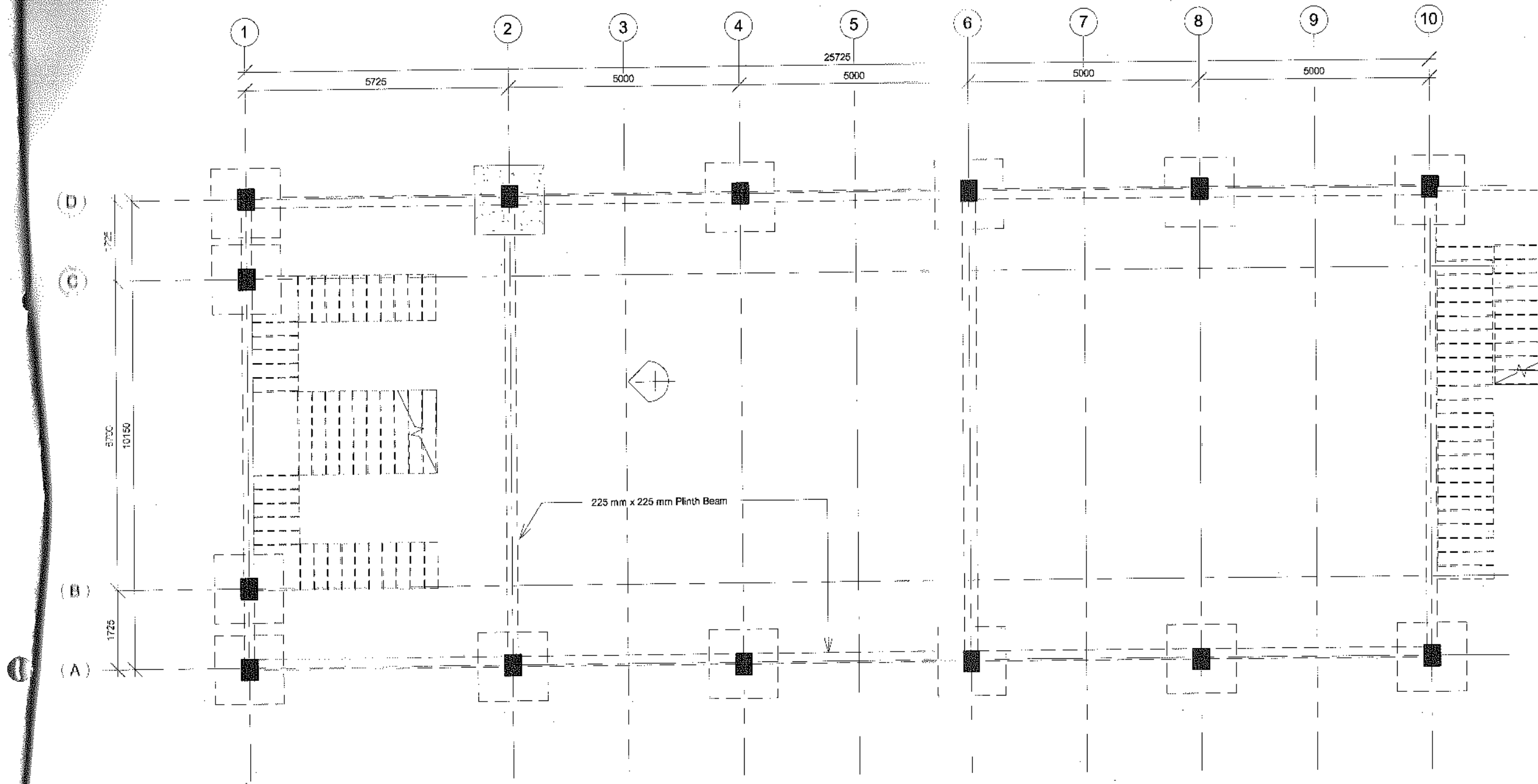


**SECTION - 2**  
1 : 100

**PROPOSED LECTURE HALL FOR UVA WELLASSA UNIVERSITY**  
**STAGE - I**

SECTIONS	Rev No.	Date	Description	Drawn By:			
						Randika .R. A.	
Notes:				Recommended By:		Date	22/01/2021
				Approved By:		Scale	1 : 100
						Drg. No.	A104
	Revision No.						





1 LEVEL-1  
1 : 100

**PROPOSED LECTURE HALL FOR UVA WELLISSA UNIVERSITY**  
**STAGE - I**

**LEVEL - 1 COLUMN & PLINTH BEAM LAYOUT**

Notes:

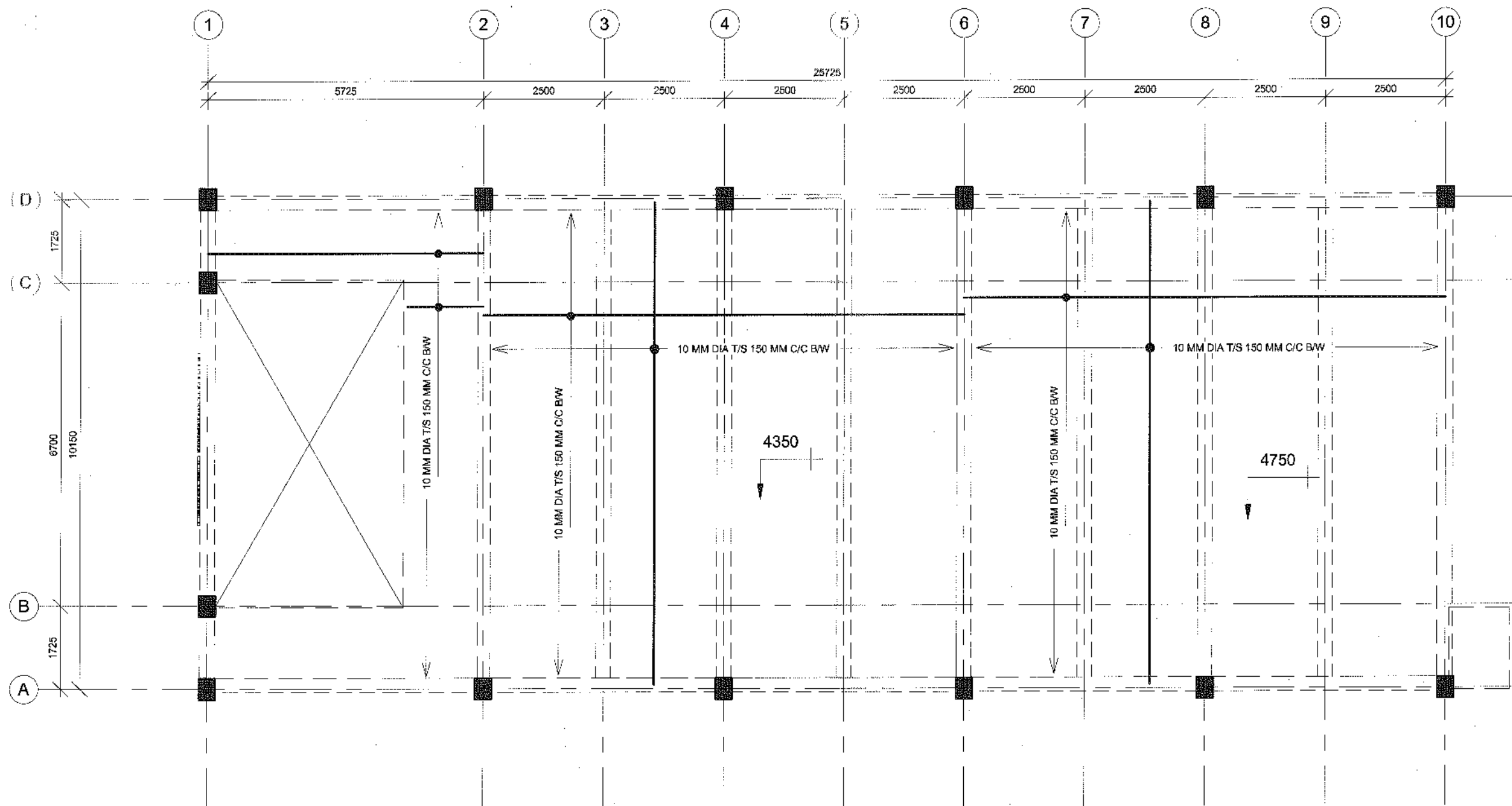
Rev No.	Date	Description	Drawn By:
			Randika .R. A.
			Recommended By: <i>[Signature]</i>
			Approved By: <i>[Signature]</i>
Revision No.			

Date	22/01/2021
Scale	1 : 100
Drg. No.	A105









SLAB DETAIL  
1 : 100

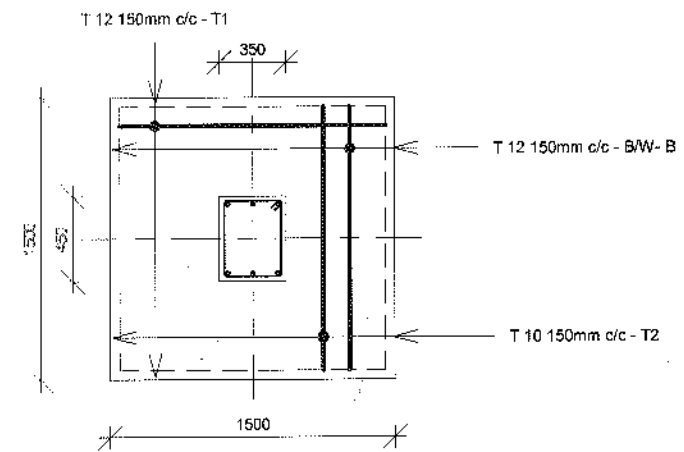
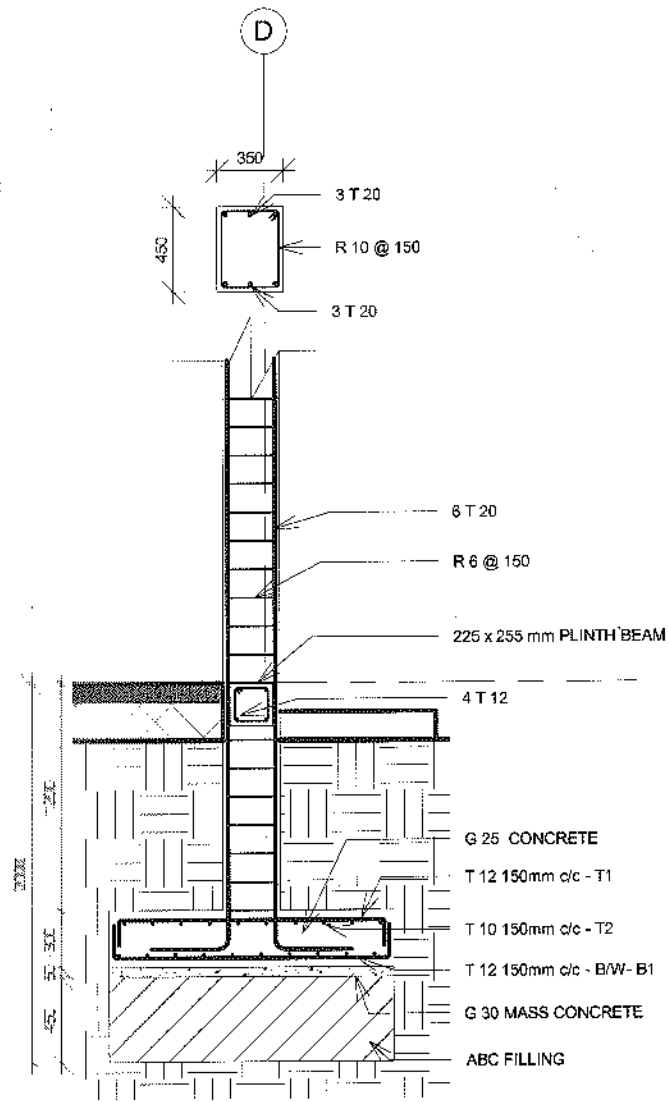
PROPOSED LECTURE HALL FOR UVA WELASSA UNIVERSITY  
STAGE - I

SLAB DETAIL

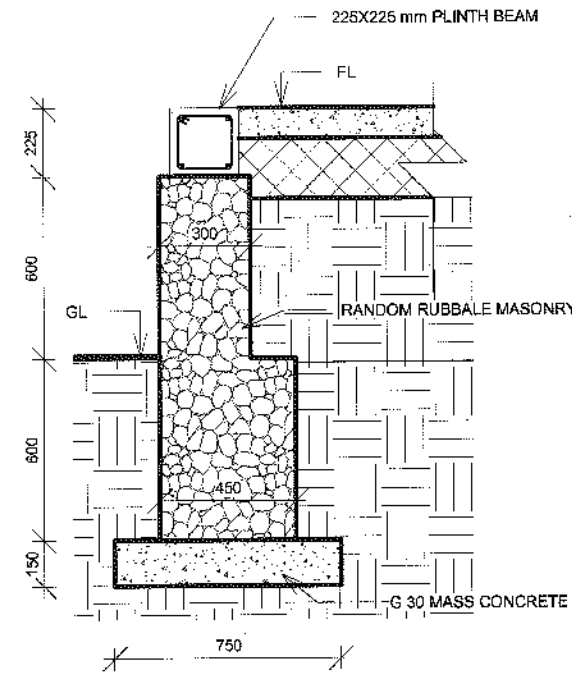
Notes:

Rev No..	Date	Description	Drawn By:	Date
			Randika .R. A.	22/01/2021
			Recommended By:	Scale
			Approved By:	1 : 100
				Drg. No.
				A107
Revision No.				





2 COLUMN DETAIL  
1 : 40



1 FOUNDATION DETAIL  
1 : 25

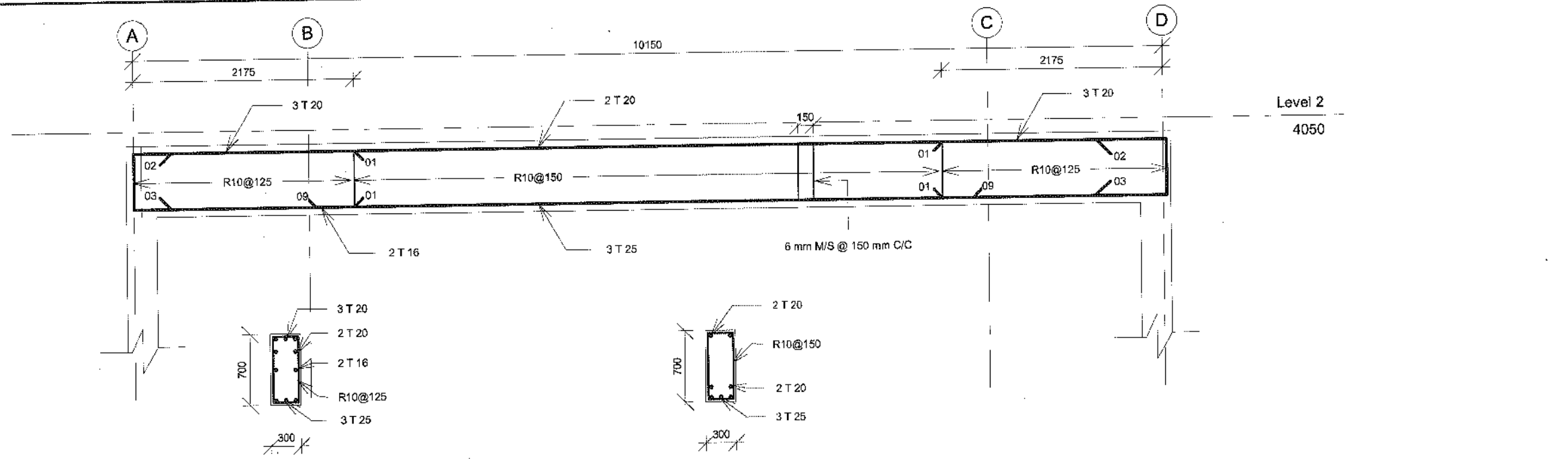
DOOR WINDOW SCHEDULE			
NO	DESCRIPTION	DIMENSIONS	QTY
D	Aluminium double swing door with top louvers using approved quality powder coated aluminium extrusions with 5mm thick fixed glass	1400 x 2400	2
D1	Aluminium single swing door using approved quality powder coated aluminium extrusions with 5mm thick fixed glass on top,	1000x 2300	1
W	Aluminum sliding window with top louvers approved quality powder coated aluminum extrusions and 5mm thick glass	1500 x 2500	15

PROPOSED LECTURE HALL FOR UVA WELLISSA UNIVERSITY  
STAGE - I

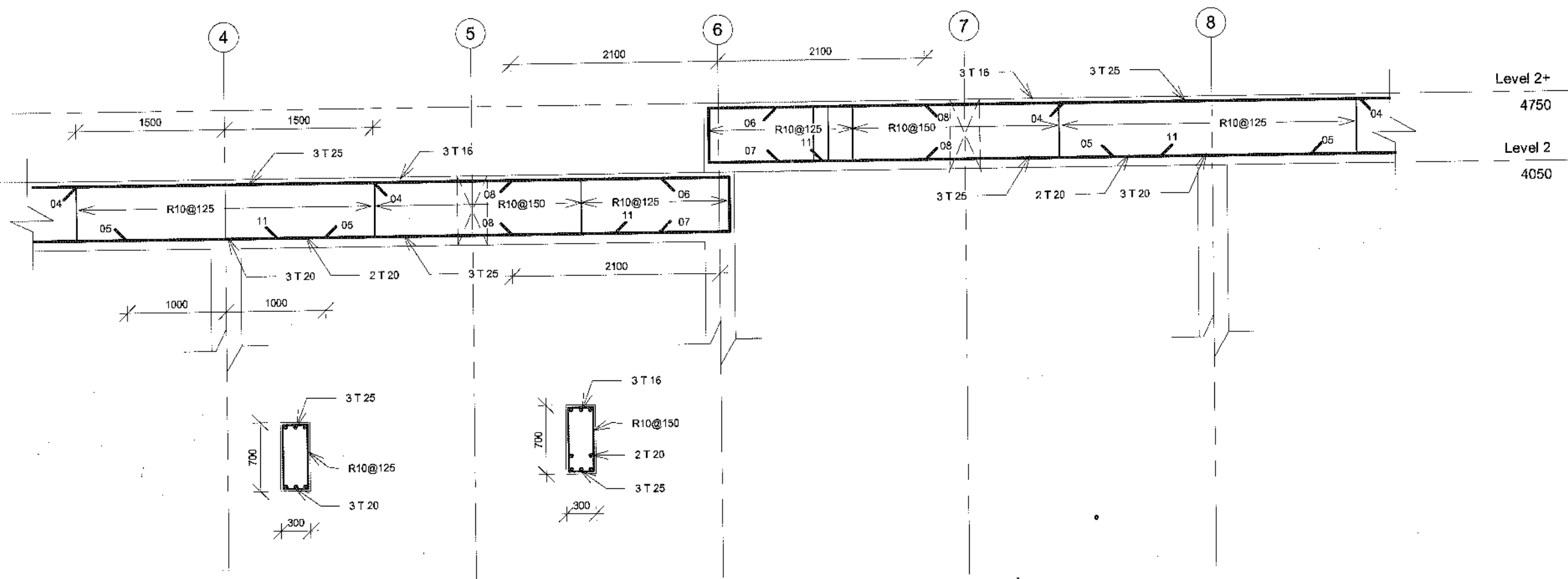
DETAIL	Rev No.	Date	Description	Drawn By:	Randika .R. A.
	Notes:				
	Revision No.				

Date	22/01/2021
Scale	As indicated
Drg. No.	A108





BEAM DETAIL - B1&B2  
1:50



BEAM DETAIL - B3  
1:50

POSTED LECTURE HALL FOR UVA WELASSA UNIVERSITY  
STAGE - I

BEAM DETAIL		Rev No.	Date	Description	Drawn By:			
Notes:						Randika .R. A.		
					Recomended By:			
					Approved By:			
					Date	22/01/2021		
					Scale	1 : 50		
					Drg. No.	A109		
Revision No.								